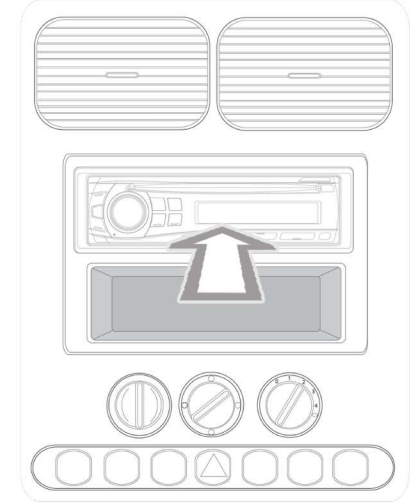
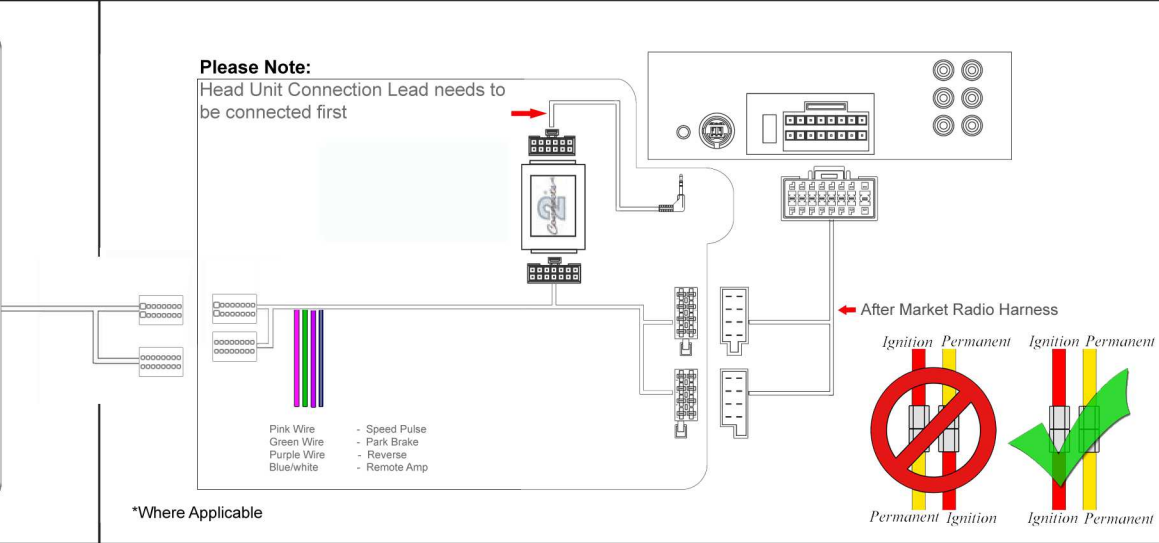
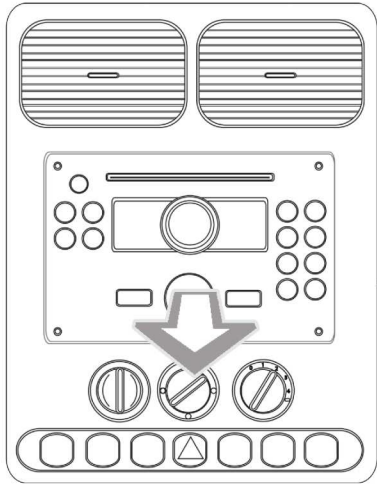


# Installation Guide

Part No: CTSMT007.2 Mitsubishi Can-Bus Steering Wheel Control Interface



## Vehicle Compatibility:

Mitsubishi

Pajero 2010>

with  
Rockford Fosgate  
Amplified Systems

## Steering Wheel Control Functions



Seek/Track+

Seek/Track-

Source



Volume +

Volume -

\* Note All Dates are guide lines only as specifications of vehicles change